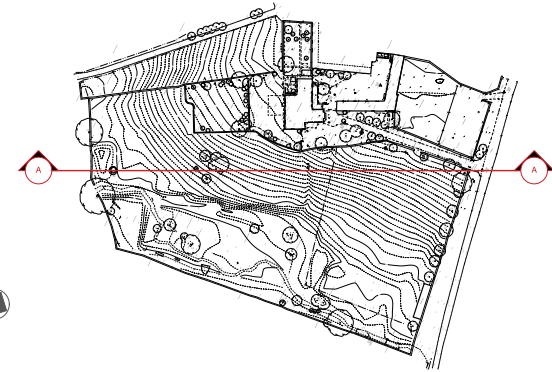




A-A Existing elevation



B-B Proposed elevation

